

Line Interactive UPS



BP Series

BP650~BP2200

Application:

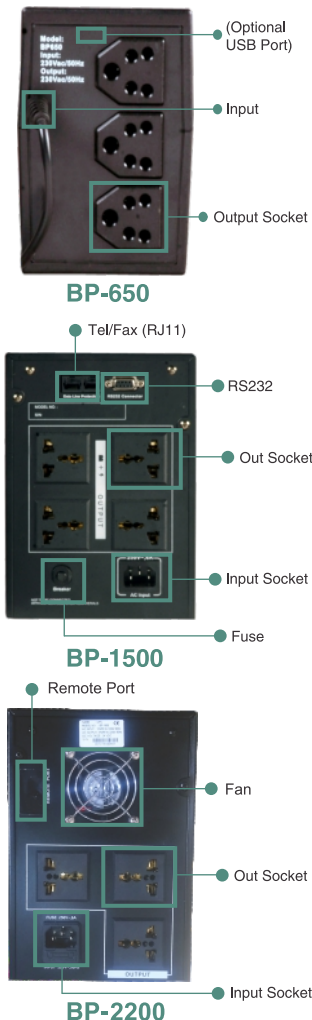
PC, Workstation, Printer, Servers

Features:

- AVR 120 - 300V
- Surge Suppressor
- Cold Start on Battery
- Overload Protection
- Battery drain Protection
- Off Line Charging
- CPU Based, Microprocessor Controlled



Rear Panel



Technical Specifications

MODEL	BP650	BP650V	BP1010	UPS1000	BP1200	BP1500	BP1800	BP2200
INPUT								
Voltage (VAC)	120-300vac				145-300vac		160-300vac	
Frequency (HZ)	>40HZ auto sensing, Generator Compatible							
OUTPUT								
AVR Regulation	200 to 245V (for AVR 145 to 300VAC)							
Voltage	230±10%							
Frequency (HZ) on Battery	50±1Hz							
Waveform	Simulated sine wave							
No. of PC Support (LCD Monitor)	1 No.		2 Nos.		3 Nos.		4 Nos.	
Transfer Time (ms)	4-8 ms typical							
Internal Battery	1X12V, 7AH		2X12V, 7AH			2X12V, 12AH		4X12V, 9AH
Voltage	12Vdc					24Vdc		
Type	Sealed maintenance free lead acid VRLA							
Recharging time	6-8hours to 90% after complete discharge							
DC Start	Yes							
BACKUP TIME								
1PC	20-35 mins		40-60 mins					>2hr
PROTECTION								
Short circuit	AC mode : Electronic circuit, Inv.mode : electronic circuit, DC under voltage & Overload thru electronic circuit							
ALARM								
Audible	Low Battery, Overload, Fault, Any Abnormilty, Battery Mode							
INDICATOR								
AC Mode					Green Lighting		LCD Display	
Backup Mode					Orange Lighting		LCD Display	
Fault Mode					Red lighting		LCD Display	
PHYSICAL								
Dimensions (W x D x H) mm	110x300x140	99x280x143	145x400x160	147x351x163	145x400x160	150x400x170	480x226x320	480x228x320
Net weight	5.5 Kg	4.16 Kg	7.5 Kg	7.96 Kg	8.5 Kg	13.5 Kg	16 Kg	21 Kg
Backup Outlet	3 Socket Universal		4 Socket Universal					
ENVIRONMENTAL								
Operation/Storage temperature	0-40°C / 0-50°C							
Operation humidity	95%RH maximum, non condensing							

Specifications are subject to change without prior notice.

Best Power Equipments (I) Pvt. Ltd.

CORPORATE OFFICE: G-240, Setcor-63, Noida, UP : 201307
 Tel: +91-120-4201509 / 10 / 11 / 12 / 13, Mob.: +91- 9311995859
 Email : sales@bpee.com, crm@bpe.co.in
 Http://www.bpee.co.in, www.bpee.com

